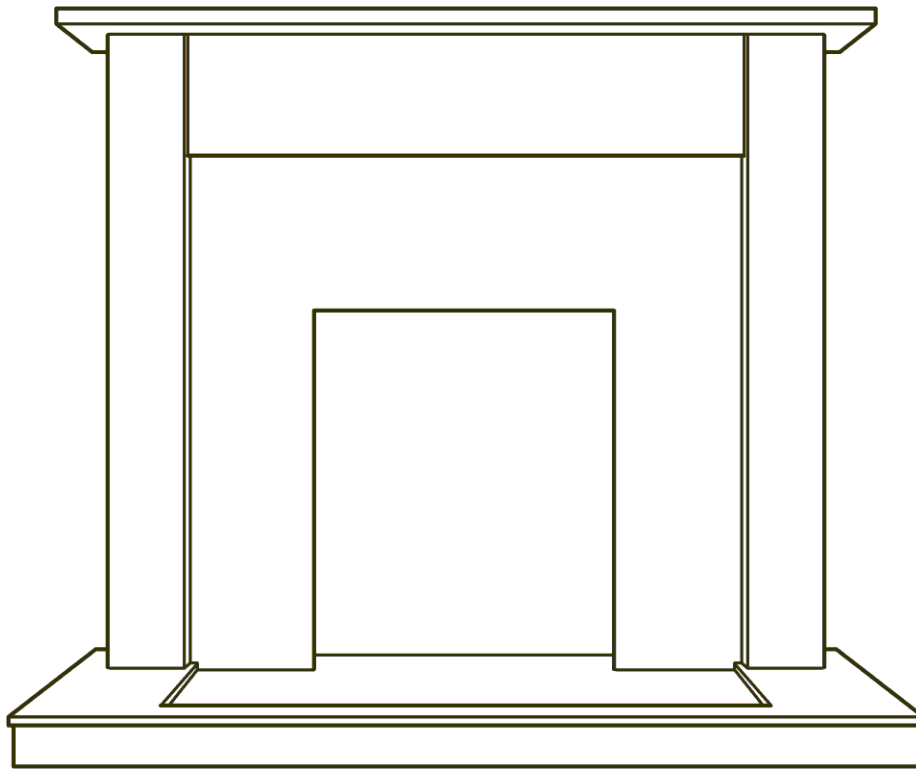


INSTALLATION GUIDE

Dallas

Surround and Hearth Set



This guide should be read in conjunction with the installer and owner guide supplied with the fire.

This guide is intended to help you install your surround and hearth set. Please read carefully before installing. However, if further information is required, our **Valor Fires Technical Helpline** will be pleased to help.

Telephone **08706 061 065** (National call rates apply in the United Kingdom)

In the Republic of Ireland call **0044 8706 061 065**.

Important: Please keep your guide in a safe place for future reference

INSTALLATION GUIDE

© Baxi Heating U.K. Limited 2007.

All rights reserved. No part of this publication may be reproduced in any material form (including photocopying), stored in any medium by electronic means (including in any retrieval system or database) or transmitted, in any form or by any means, whether electronic, mechanical, recording or otherwise, without the prior written permission of the copyright owner.

Applications for the copyright owner's permission to reproduce any part of this publication should be made, giving details of the proposed use, to the following address: The Company Secretary, Baxi Heating UK Limited, The Wyvern Business Park, Stanier Way, Derby, DE21 6BF.

Warning: Any person who does any unauthorised act in relation to a copyright work may be liable to criminal prosecution and civil claims for damages.

Valor Fires, Erdington, Birmingham B24 9QP

VALOR FIRES

www.firesandstoves.co.uk

Because our policy is one of constant development and improvement, details may vary slightly from those given in this publication

INSTALLATION GUIDE

SAFETY

- When drilling into brick work always wear safety goggles, a dust mask, and always work in a well ventilated area.
- Keep children clear of work area especially when assembling the surround / mantle.
- Always read this guide in conjunction with the guides supplied with the fire.
- Always tidy loose electrical leads in the work area.
- Always switch off electric power when not needed.
- The surround must always be fixed into position.

HANDLING AND UNPACKING

Before continuing any further with the installation of this surround and hearth please read the following:

Important instructions.

- The approximate lifting weights of the surround, rear panel and hearth are as below:

Surround legs	3.1 kg.(2 off)
Surround fascia panel	2.0kg
Surround top panel	4.2kg
Hearth and floor panel	9.2 kg.
Rear panel	7.2 kg.

- One person should be sufficient to lift the surround and back panel assembly or hearth assembly. If for any reason this weight is considered too heavy then obtain assistance.
- When lifting always keep your back straight. Bend your legs and not your back.
- Avoid twisting at the waist. It is better to reposition your feet.
- Avoid upper body / top heavy bending. Always bend from the knees rather than the waist. Do not lean forward or sideways whilst handling.
- Always grip with the palm of the hand. Do not use the tips of fingers for support.
- Always keep the Surround / Hearth as close to the body as possible. This will minimise the cantilever action.
- Use gloves to provide additional grip.
- Always use assistance if required.

INSTALLATION GUIDE

CONTENTS

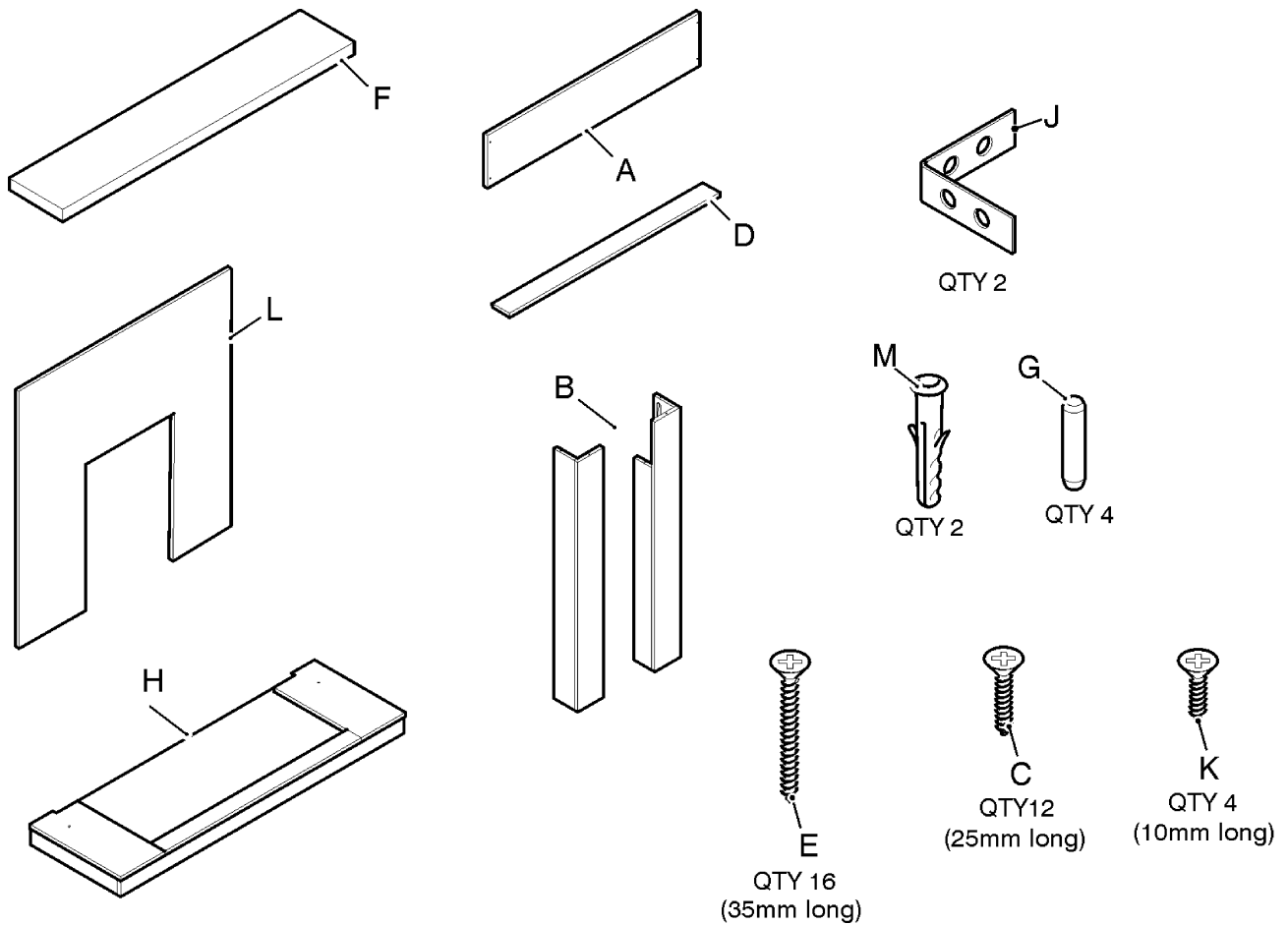


Figure 1. Contents (Items are not to scale. Any components extra to those above can be discarded).

FITTING THE SURROUND / MANTLE AND HEARTH

The installation of this Surround and Hearth requires a reasonable level of DIY skills. Please read this guide thoroughly before commencing installation and if in doubt, seek help from a competent person.

Do I need any tools?

You will need the following tools :

- Pozidrive / Phillips / cross head screwdrivers.
The 35mm long screws require a number 2 size tip. The 10mm and 25mm long screws require a number 1 size tip.
- If drilling into brick work you will need a power drill (preferably with hammer action) and appropriate size drill bit for the wall plugs supplied.
- A suitably sized drill bit for the wall plugs supplied.

INSTALLATION GUIDE

How to assemble the Surround.

The fascia

- Take the Fascia (A) and secure it to Legs (B) using four (C) screws (See figure 2).

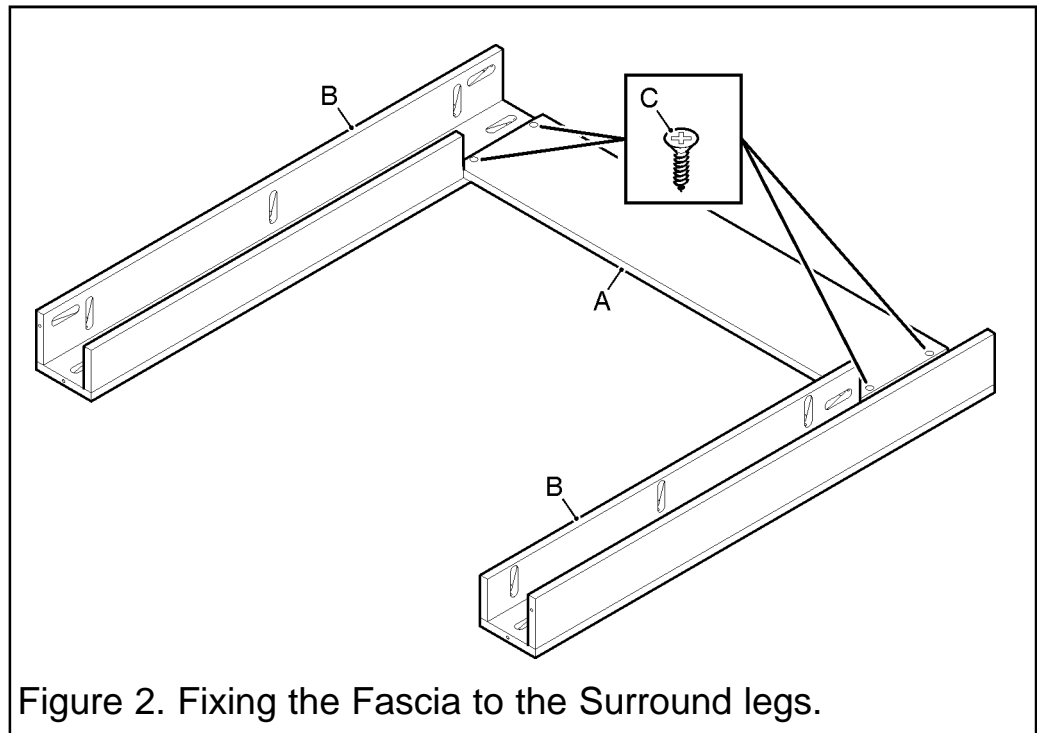


Figure 2. Fixing the Fascia to the Surround legs.

The upper rail

- Take the Upper rail (D) and secure in place using three (E) screws. Make sure that the screw side of the rail faces the top of the surround (See figure 3).

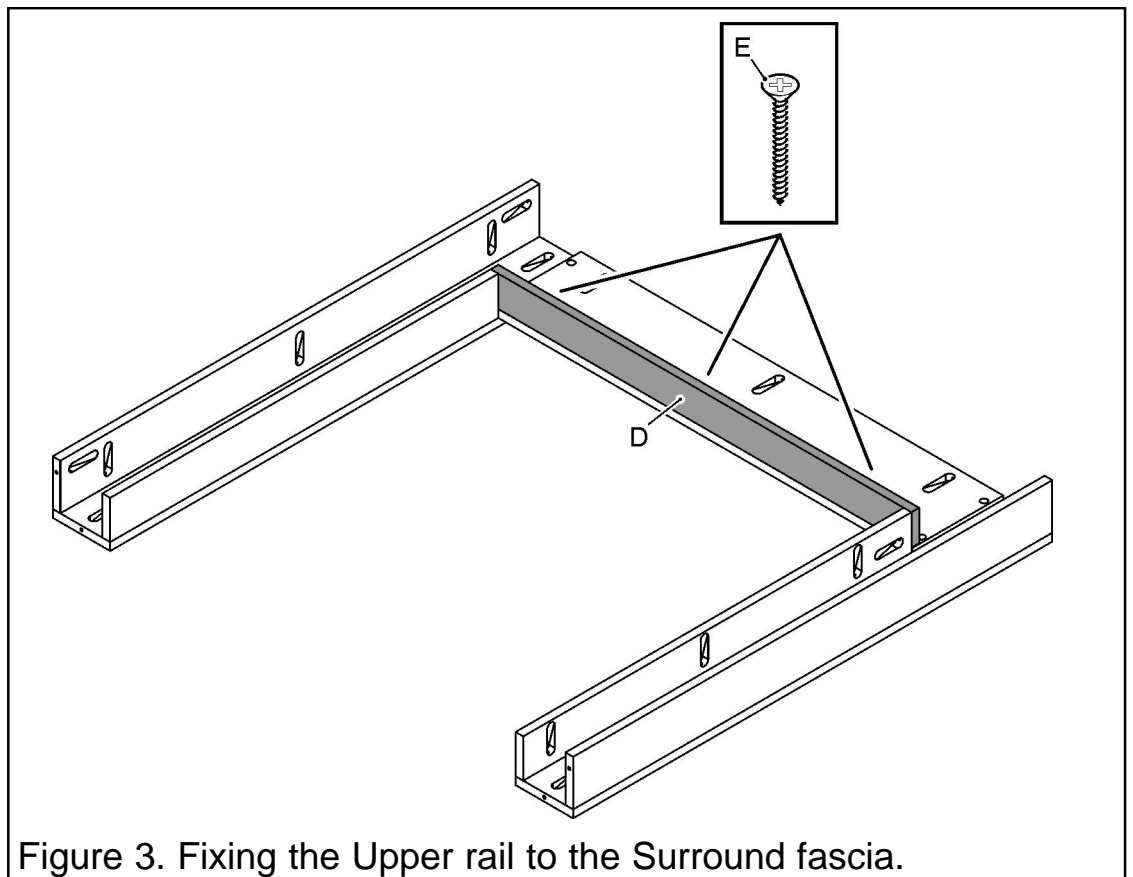
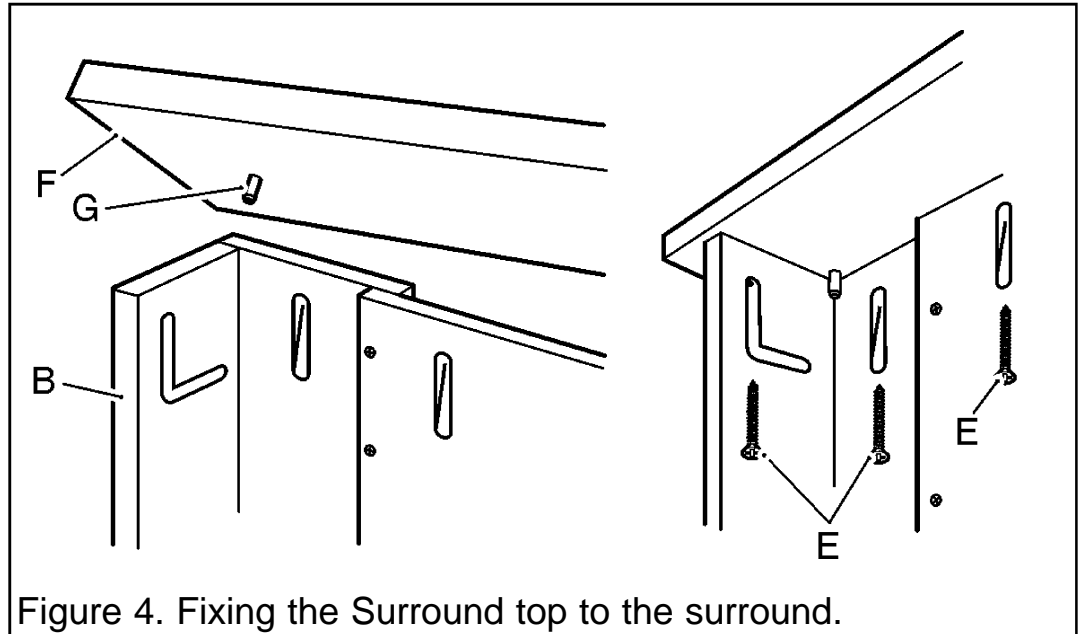


Figure 3. Fixing the Upper rail to the Surround fascia.

INSTALLATION GUIDE

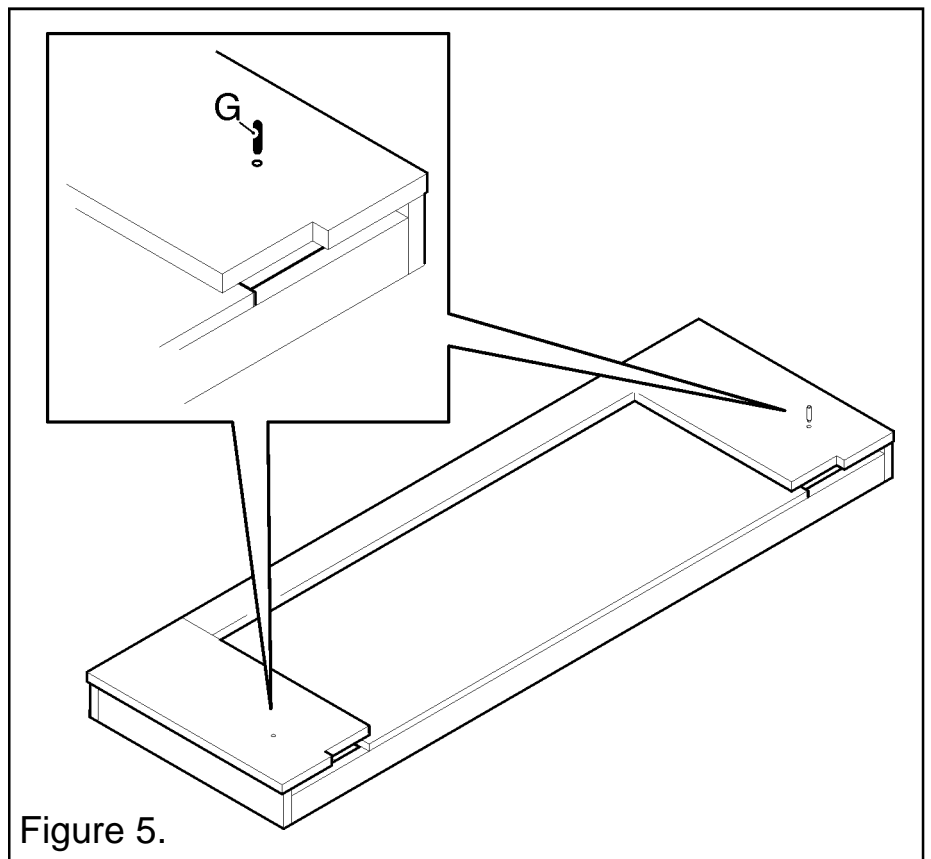
The Surround top

- Take the Surround top (F) and insert 2 wooden dowels (G) into the pre-drilled holes on the underside. Place the Surround top (F) on top of the Surround (See figure 4). Ensure that the dowels are located in the internal corners of legs (B) and that the **veneered edge is facing forward**. Screw into place using 7 (E) screws into the pre-drilled holes.



The Hearth.

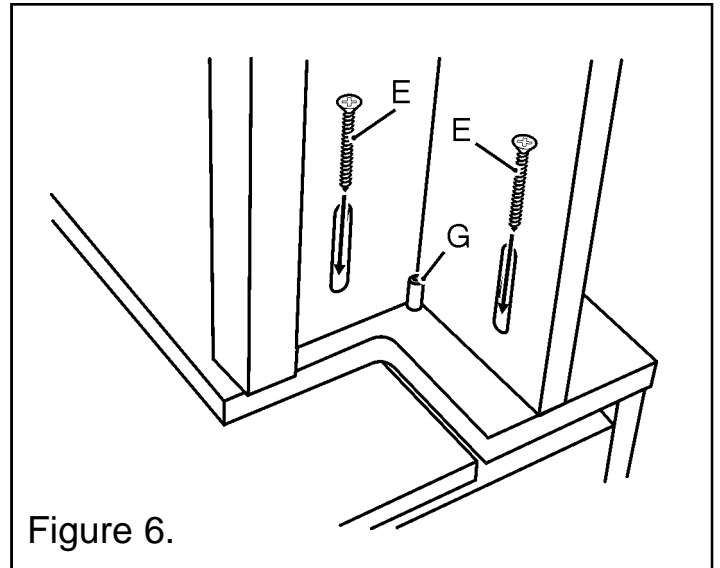
- Insert 2 wooden dowels (G) into the pre-drilled holes in the hearth (H) (See figure 5).



INSTALLATION GUIDE

Securing the surround to the hearth.

- Place the surround assembly onto the hearth (H) so that the corners of the surround legs rest against the dowels in the hearth. Secure the surround using four screws (E) (See figure 6).



Securing the Wall fixing brackets.

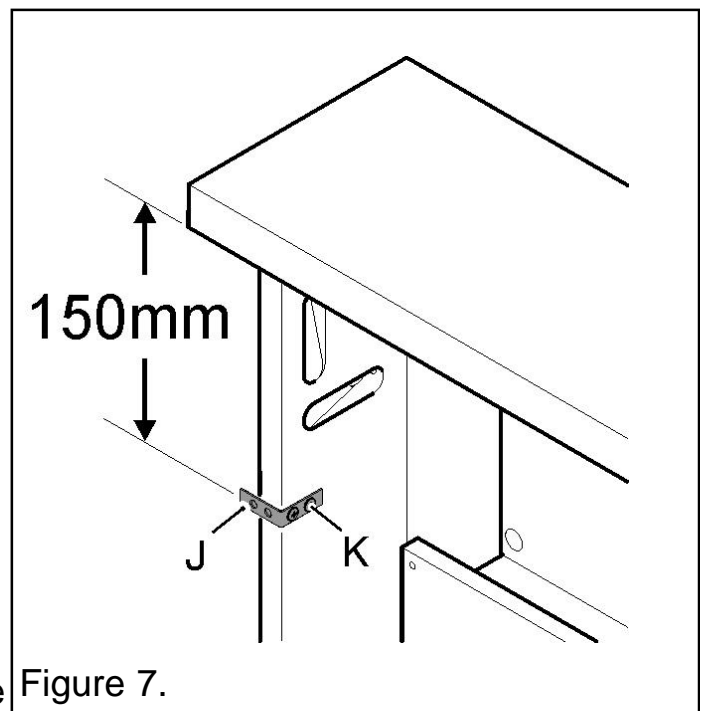
- Place the wall fixing brackets (J) 150mm from the top outside edge of the legs as shown in figure 7. Secure in place using four (K) screws.

Fixing the Rear Back Panel.

- Offer the back panel (L) to the rear of the surround assembly and position centrally. Ensure that the pre drilled holes are located over the centre of the rear rails. Secure using eight (C) screws.

Securing the Surround assembly.

- Carefully move the Surround and Hearth assembly into place. Ensure that the Surround is central to the Hearth. Mark the positions of the bracket holes on the wall. Move the assembly aside and drill suitable sized holes. Insert the wall plugs (M). Place the whole assembly into position and secure using two (E) screws.



Note: The wall plugs are only suitable for brick or block walls. For timber framed walls covered in plaster board we recommend the use of heavy duty cavity fixings.

VALOR FIRES